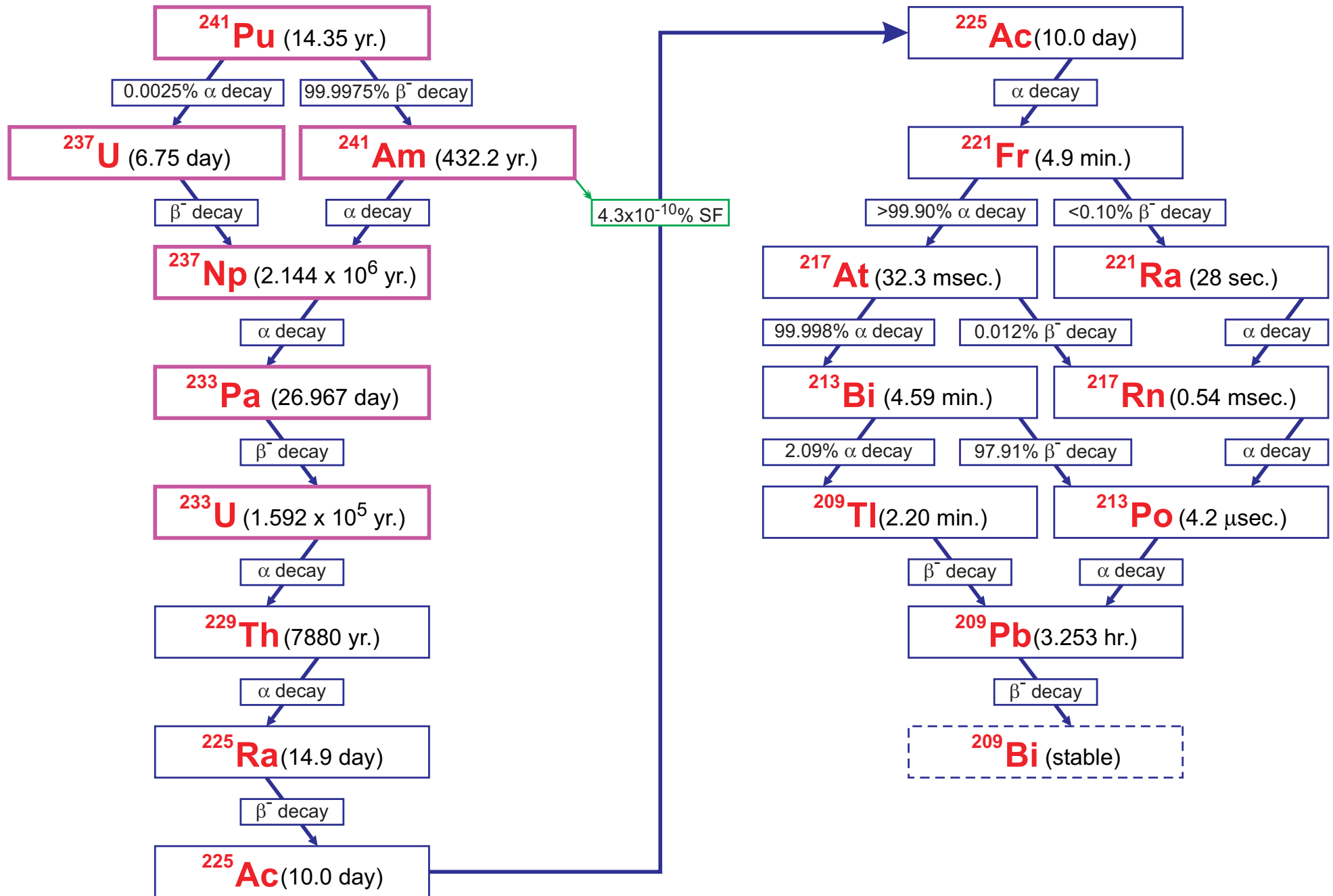
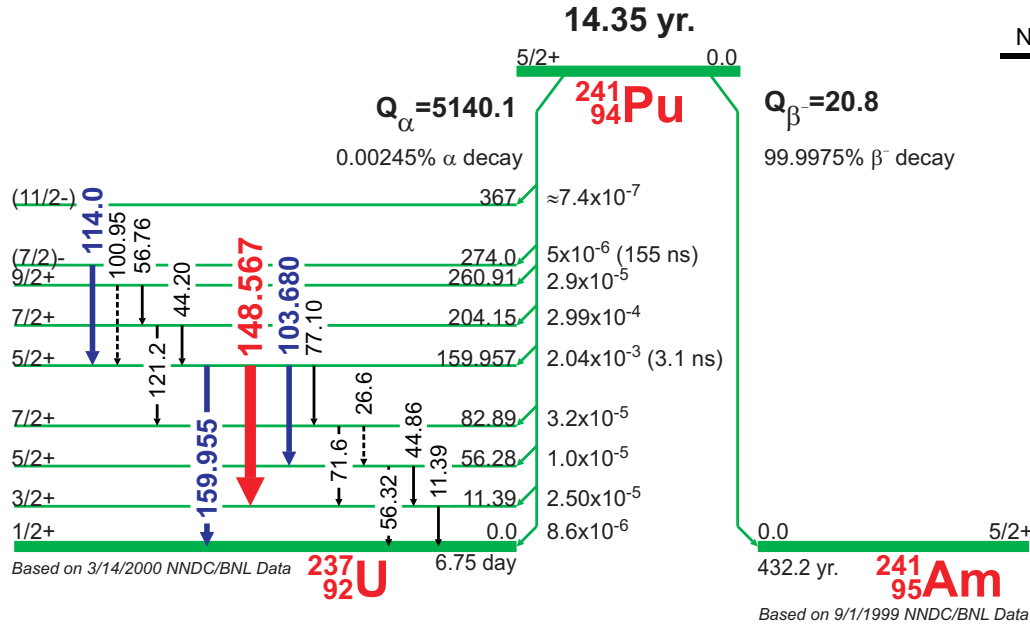


²⁴¹Pu Decay Chain



²⁴¹Pu (14.35 yr.) Decay Scheme



GAMMA-RAY ENERGIES AND INTENSITIES

Nuclide: ²⁴¹Pu

Half Life: 14.35(10) yr.

E_{γ} (keV)	σE_{γ}	I_{γ}	σI_{γ}	Level	
11.39				11.39	α
26.6				82.89	α
44.20	0.10	0.000 004 17	0.000 000 15	204.15	α
44.86	0.10	0.000 000 83	0.000 000 10	56.28	α
56.32	0.10	0.000 002 50	0.000 000 15	56.28	α
56.76	0.10	0.000 000 98	0.000 000 10	260.91	α
71.6	0.2	0.000 002 84	0.000 000 29	82.89	α
77.10	0.10	0.000 021 1	0.000 000 7	159.957	α
100.95		0.000 000 071	\approx	260.91	α
103.680	0.005	0.000 101 7	0.000 001 2	159.957	α
114.0	1.0	0.000 006 1	0.000 001 2	274.0	α
121.2	0.2	0.000 000 69	0.000 000 07	204.15	α
148.567	0.010	0.000 185 5	0.000 002 0	159.957	α
159.955	0.020	0.000 006 54	0.000 000 15	159.957	α
641	2				α
687	2				α

E_{γ} , σE_{γ} , I_{γ} , σI_{γ} , Levels from ENSDF Database as of March 14, 2000

① These I_{γ} are per 100 Decays of ²⁴¹Pu, based on a 0.00245%(2) branching ratio.

② Normalization factor is 1.0, and its uncertainty is taken to be 0.0. Uncertainty of 0.8% from branching ratio is not included.

